

# DYNAMIC




## DYNAMIC USER MANUAL

2020-10

"BECAUSE  
EVERY-BODY  
IS DIFFERENT"



PRODUCT	DYNAMIC
OTHER NAMES	
PART NUMBER / MODEL	A001ST
CE CONFORMITY	 <p><b>Regulation EU 2017/745 - Class I medical device - Rule I Annex VIII</b></p>
MAIN STANDARDS APPLIED	<p>ISO 14971:2012 UNI EN 12182:2012</p>
MANUFACTURER	<p><b>Neatech.it SRL</b> via A. de Curtis 4/A, 80040, Cercola (NA), Italia Tel. +39 081 555 1946 <a href="http://www.neatech.it">www.neatech.it</a> – <a href="mailto:info@neatech.it">info@neatech.it</a></p>
INTENDED USE	<p>The product is intended to be used for alleviation or compensation for an injury or disability. Particularly the purpose is to offer postural support for user's pelvis.</p>

# Index

1. PREPARATION FOR FIRST USE .....	9
1.1. Unpacking.....	9
2. ADJUSTMENTS.....	10
3. USE OF THE PRODUCT .....	11
3.1. Seat fixing.....	11
3.1.1. Seat fixing on NEATECH wheelchair.....	11
3.1.2. Seat fixing on other wheelchair .....	13
3.2. Use as a seat in a motor vehicle .....	15
3.3. Transport and storage .....	16
4. MAINTENANCE .....	17
4.1. Cleaning.....	17
4.2. Controls to be performed on the product.....	18
4.3. Reuse.....	18
5. TECHNICAL SPECIFICATION .....	19
5.1. Drawings.....	19
6. Assistance and warranty terms .....	20

6.1. Serial number ..... 21

Note ..... 22

**WARNING**

This symbol means presence of danger for the user or damage for the product. Always follow instructions when this symbol is present.

**PINCH HAZARD**

This symbol means presence of pinch hazard.

**ELECTRICAL WARNING**

This symbol means presence of danger related to the presence of electrical energy. Please pay special attention when this symbol is present.

**INFORMATION**

This symbol means general information intended to simplify or best explain the use of the product.

**CONTACT INFORMATION**

This symbol means the need of contacting an authorized service center or the manufacturer.



### INCIDENT REPORTING

If an incident occurs, please contact the manufacturer.



### AUTHORIZED SERVICE CENTER

In order to obtain a list of authorized service center, please contact the manufacturer.



This product and all its components can not be treated as household waste. For more detailed information on how recycling and disposal this product contact your local waste disposal service.



Any unauthorized modification to the product may increase the risk of personal injury and damage to the product itself. All modifications should be done by an authorized service center.

Do not use any unauthorized accessories or spare parts on the product. Do not use the product in combination with other medical devices without first having considered any risk due to combination of more products.



Use of this product on a wheelchair could modify the position of the center of gravity of the system wheelchair + user with subsequential increase of tipping risk. Please consider the possibility to add anti tip devices to the wheelchair.



In addition to the indications provided in this manual, always follow indications in the manual of the wheelchair on which it is mounted. In case of discrepancy, please contact the manufacturer.



**WARNING: It is prohibited to use the product or its parts for any purpose other than that indicated. For a correct use please follow the instructions given in this manual. The manufacturer disclaims any responsibility for damages caused by improper use of the product.**



Information in this manual may be subject to change without notice. All information, pictures and specifications are based on the product details that were available at the time of preparation of this document. They are representative examples and they are not intended to be exactly as the actual product.



### **TEMPERATURE**

The temperature of some surfaces may increase when the product is exposed to external heat sources as direct sunlight.



### **INFORMATION**

For information on how to obtain information and instructions in a format appropriate for use by visually impaired people please contact the manufacturer.



The product is not intended to be dismantled. There are no parts of the product expected to be handled during normal use of it



Do not install, maintain or operate the product without reading all warnings and this entire manual.  
Always keep this manual in connection with the product.




# 1. PREPARATION FOR FIRST USE

## 1.1. Unpacking

<p>Inside the box there are:</p> <ul style="list-style-type: none"><li>• DYNAMIC Seat</li><li>• Manual</li></ul>	<p>Inside the box there are:</p> <ul style="list-style-type: none"><li>• Seat</li><li>• Manual</li></ul>		<p><b>PACKAGING DISPOSAL</b></p> <p>To properly recycle the packaging materials follow your local waste disposal service.</p>
--	--	---	---

The product is delivered already mounted and ready to use. Before starting to use the product please check if all described components are present. It should be better if first set-up is performed by an authorized service center.

	<p>First setup of the product must be performed by qualified personnel.</p>
---	---

## 2. ADJUSTMENTS



### **INFORMATION**

No adjustments are intended to be performed by the user of this product.



### **WARNING**

Please do not change the number and the position of internal inserts. They should only be modified according to qualified personnel advices.



### **INFORMATION**

If additional inserts are needed, please contact an authorized service center.





### **WARNING**

An improperly prepared seat can lead to incorrect positioning of the user with possible consequences on his health.

## 3. USE OF THE PRODUCT

### 3.1. Seat fixing

#### 3.1.1. Seat fixing on NEATECH wheelchair

	 <p><b>Average needed time:</b> &lt;5 min</p>  <p><b>Difficulty level:</b> Easy</p>	
--	---	--



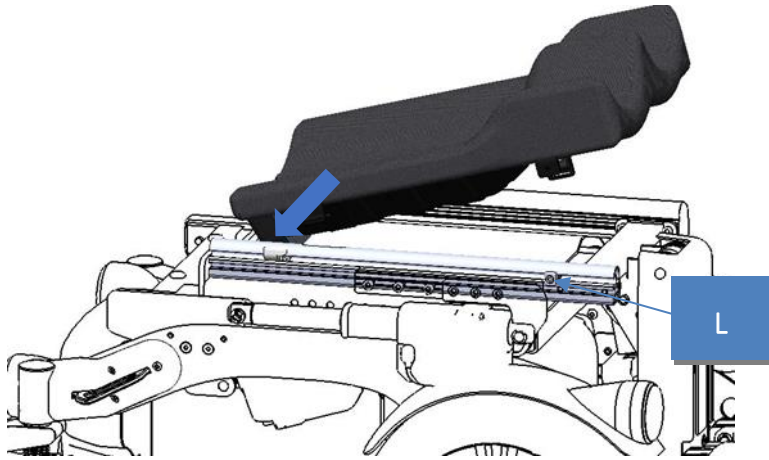
#### **WARNING**

When fixing the seat, a sound should be heard. If not, please check if the seat is correctly fixed.



#### **INFORMATION**



To remove the seat, please follow instructions in reverse order.



**Figure 1**

- Place the rear bracket in contact with the rear stopper as shown in Figure.
- Lock the front bracket in contact with the stop nut (L) as shown in Figure.
- When the seat is in place be sure to correctly close the clip closures at right and left side.

### 3.1.2. Seat fixing on other wheelchair

	 <p><b>Average needed time:</b> &lt;5 min</p>  <p><b>Difficulty level:</b> Easy</p>	
--	---	--



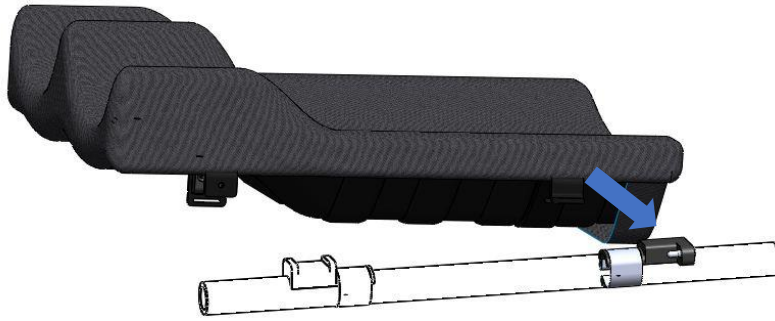
#### **WARNING**

When fixing the seat, a sound should be heard. If not, please check if the seat is correctly fixed.



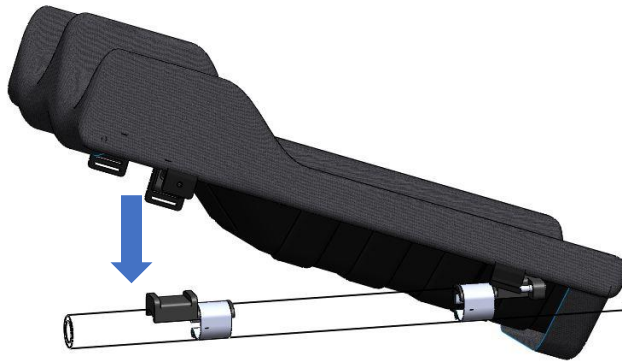
#### **INFORMATION**

To remove the seat, please follow instructions in reverse order.



**Figure 2**

- Place the rear bracket in contact with the rear adapter as shown in Figure.



**Figure 3**






- Place the rear bracket in contact with the front adapter as shown in Figure.
- When the seat is in place be sure to correctly close the clip closure.





### 3.2. Use as a seat in a motor vehicle

The product has been crash tested mounted on a surrogate wheelchair with characteristics that are similar to those of a typical host manual wheelchair.

The product has been crash tested mounted on a surrogate wheelchair with characteristics that are similar to those of a typical powered class A wheelchair.

The product has been crash tested mounted on a surrogate wheelchair with characteristics that are similar to those of a typical powered class B wheelchair.

	The product can be uses on a motor vehicle only if the wheelchair on which is mounted is compliant with ISO 7176-19 when dynamically crash tested face forwarding with the ATD restrained by both pelvic and shoulder belts.
	Wheelchair users should transfer to the vehicle seat and use the vehicle-manufacturer-installed restraint systems whenever it is feasible and the unoccupied wheelchair should be stored in a cargo area or secured in the vehicle during the travel.
	Alterations or substitutions should not be made to the wheelchair securement points or to structural and frame parts or components without consulting the wheelchair manufacturer.
	Both pelvic and shoulder belt should be used to reduce the possibility of head and chest impacts with vehicle components.
	When possible other auxiliary wheelchair equipment should be either secured to the wheelchair or removed from the wheelchair and secured in the vehicle during travel, so that it does not break and cause injury to vehicle occupants in the event of a collision.

	The product should be inspected by a manufacturer's representative before reuse following involvement in any type of vehicle collision.
	Alterations or substitutions should not be made to the wheelchair securement points or to structural and frame parts or components without consulting the wheelchair manufacturer.
	Care should be taken when applying the occupant restraint to position the seatbelt buckle so that the release button will not be contacted by wheelchair components during a crash.
	Always use ISO 10542-1 approved Wheelchair Tiedown and Occupant Restraint Systems, which are suitable for the weight of the wheelchair

### 3.3. Transport and storage

It is possible to store the product in a place with a temperature between -20 °C and +45 °C.

The product can be transported in the storage compartment of the vehicle even without any package. The product can be also shipped via air. If it is necessary to ship the product it is very important to protect it with an appropriate package.

It is not possible to provide a universal package, so the user should provide himself for it. The used package must be water and dust resistant and strong enough to protect the product from any hurts. When inserting the product into the package protect any protruding parts with some foam or similar. If you are not willing to use the wheelchair for a long period, keep it safe in a clean area and away from heat.



## 4. MAINTENANCE

Regular maintenance helps to keep intact the functionality and safety of the product. Inadequate or lack of care and maintenance may cause a limitation of the warranty. Avoid prolonged contact of the product with water. It may cause oxidation of the metal parts. Avoid long exposure of the product to direct sunlight.



### WARNING

Any work on the product must be performed by an authorized service center.

### 4.1.Cleaning

To clean the product do not use high-pressure water spray devices. For plastic and metal parts use a soft cloth dampened with mild detergent. For the upholstery, linings, seat and back covers use warm water and mild detergent. Do not use stain removers, solvents, acids, etc. Clean all parts of the seat separately: separate fabric parts from other parts. In order to separate them, act on the straps on the back of the seat and remove upholstery.



### WARNING

When reinserting the Seat Pad, make sure the yellow layer is facing low.

#### UP HOLSTERY



Machine wash in hot water at 60 °C



Drip dry



Do not wring



Do not bleach

#### FOAM

First remove the upholstery. Simply clean the foam using a damp cloth. Do not use any type of soap or detergent. Do not put the foam directly into the water. Before putting back the foam, please be sure it is completely dry.

#### OTHER PARTS

Simply use a cloth moistened with a neutral detergent.

Table 1

## 4.2. Controls to be performed on the product

Type of operation	
A	Operation intended to be performed by the user.
B	Operation intended to be performed by an assistant.
C	Operation intended to be performed by an authorized service center.

**Table 2**

Operation	Frequency	Type of operation
Check if seat is correctly fixed.	Before each use	B - Assistant
Clean the product.	Monthly	B - Assistant

**Table 3**

## 4.3. Reuse

The product is suitable for reuse. Before dispensing it, the product must be cleaned, and subjected to maintenance. The operating instructions are included in this manual and must also be provided when the product is passed on.



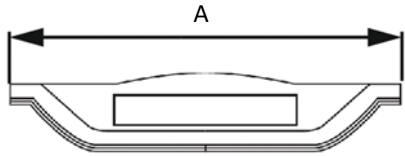
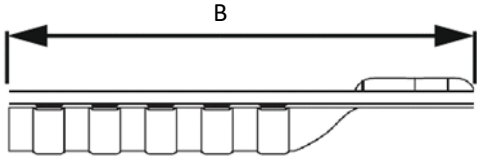
**WARNING**

**This operation must be performed only at an authorized service center.**

## 5. TECHNICAL SPECIFICATION

Mass of test dummy used in the test	150 kg
The product conforms to requirements for resistance to ignition in accordance with ISO 7176-16 [yes-no]	YES - SI
Maximum user mass	150 kg
Expected lifetime of the assistive product [years]	5

### 5.1. Drawings

	
<b>A</b>	<b>B</b>
300 mm	MAX 420 mm
340 mm	MAX 460 mm
380 mm	MAX 500 mm
420 mm	MAX 52 mm
460 mm	MAX 56 mm

## 6. Assistance and warranty terms

### Definitions

**MANUFACTURER**: Manufacturer means the legal person who manufactures a product. For the scope of the following document, the manufacturer is:

**Neatech.it s.r.l.**

via Antonio de Curtis 4/A – 80040 – Cercola (NA)

Tel. +39 081 555 1946 – [info@neatech.it](mailto:info@neatech.it) – [neatech@pec.it](mailto:neatech@pec.it) – [www.neatech.it](http://www.neatech.it)

P.IVA IT04812481218 – REA NA715393

**CUSTOMER**: Customer means the natural or legal person who buys a product from the manufacturer. For the scope of the following document, the Customer is the holder of the financial document issued by the manufacturer following the supply of the product.

**PRODUCT**: Product is the good supplied by the manufacturer to the customer in execution of a purchase order

### Scope of the guarantee

The manufacturer undertakes to remedy any defect, lack of quality or lack of conformity of the products related to him as a result of design, construction errors or defects in the material that occurred during the warranty period.

### Period of application of the guarantee

The warranty period begins with the customer's billing date. The duration of the warranty period varies according to the type of product.

Type of product	Warranty period [months]
Manual wheelchairs	24
Electronic wheelchairs (excluding batteries)	24
Wheelchair parts and accessories (excluding batteries)	24
Batteries	6

**Table 4**

Any repairs or replacements under warranty do not alter the original period of application of the warranty.

### **Exclusions**

The warranty does not cover wearing parts.

Following there are some examples of parts subject to wear.

Padded parts (polyurethane foams, viscoelastic)

Upholstery (including canvas)

Handles and knobs

Filters

The warranty is limited to damage related to the product and cannot under any circumstances cover damage caused to third parties as a result of product failure.

The warranty does not cover parts damaged by overload, inappropriate use, alterations and repairs made by unauthorized third parties. The warranty is not valid in the event of tampering, incorrect storage, incorrect or unauthorized maintenance.

## **6.1.Serial number**

For any report or assistance request, please communicate the serial number of the product.

## Note




# DYNAMIC

