



Dealer _____

User _____

Order number _____ Date _____

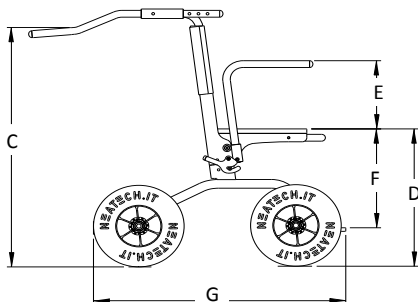
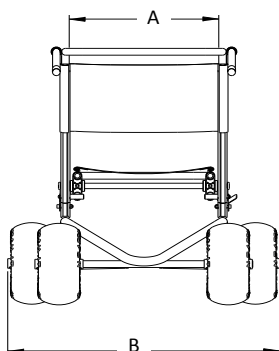
Shipping address _____

Prices of each row are unitary and market retail prices without VAT.
 If not indicated during the filling of the order form, the product will be configured in the standard version.
 Some combinations of options may result incompatible. For any request of customization contact the manufacturer.

TECHNICAL INFORMATION

Maximum user weight: **100 kg**
 Wheelchair weight: **chassis 5,5 kg - wheel 3 kg**
Aluminum chassis

all sizes are in mm



A - Seat width	460
B - Total width	900
C - Total height	880-960
D - Seat height	500
E - Armrests height	250
F - Legrest length	360
G - Total length	380

CHASSIS

JOB Walker wheelchair



€ 850.00

JWO