




**BB HEADREST
MANUALE UTENTE**

2021-01

**"BECAUSE
EVERY-BODY
IS DIFFERENT"**

PRODUCT	BB HEADREST
OTHER NAMES	POGGIATESTA BB C SYSTEM - C-SYSTEM - POGGIATESTA C - HEADREST C - C HEADREST - ASTA C - SISTEMA C - CC SYSTEM - CC-SYSTEM - POGGIATESTA CC - HEADREST CC - CC HEADREST - ASTA CC - SISTEMA CC - CI SYSTEM - CI-SYSTEM - POGGIATESTA CI - HEADREST CI - CI HEADREST - ASTA CI - SISTEMA CI - T SYSTEM - T-SYSTEM - POGGIATESTA T - HEADREST T - T HEADREST - ASTA T - SISTEMA T - POGGIATESTA FREE SHOCK
PART NUMBER / MODEL	S214
CE CONFORMITY	 <p>Regulation EU 2017/745 - Class I medical device - Rule I Annex VIII</p>
MAIN STANDARDS APPLIED	ISO 14971:2012 UNI EN 12182:2012
MANUFACTURER	Neatech.it SRL via A. de Curtis 4/A, 80040, Cercola (NA), Italia Tel. +39 081 555 1946 www.neatech.it – info@neatech.it
INTENDED USE	The product is intended to be used for alleviation or compensation for an injury or disability. Particularly the purpose is to offer postural support for user's head.

1. Sommario

2. PREPARATION FOR FIRST USE	9
2.1. Unpacking.....	9
2.2. Mounting on the wheelchair	10
2.2.1. Mounting example	11
3. ADJUSTMENTS.....	13
3.1. Pad position	16
3.2. Bracket Height.....	17
3.3. Angle	19
3.4. Headrest position.....	23
3.4.1. C headrest	24
3.4.2. I headrest	25
3.4.3. CC headrest	26
3.4.4. CI headrest	27
3.4.5. T headrest	28
3.4.6. FREE SHOCK headrest	29
4. USE OF THE PRODUCT	30
4.1. Use as a seat in a motor vehicle	30

4.2. Transport and storage.....	30
5. MAINTENANCE	31
5.1. Cleaning.....	31
5.2. Controls to be performed on the product.....	32
5.3. Reuse.....	32
6. TECHNICAL SPECIFICATION	33
6.1. Drawings.....	33
7. Assistance and warranty terms	35
7.1. Serial number	37
Note.....	38



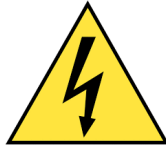
WARNING

This symbol means presence of danger for the user or damage for the product. Always follow instructions when this symbol is present.



PINCH HAZARD

This symbol means presence of pinch hazard.



ELECTRICAL WARNING

This symbol means presence of danger related to the presence of electrical energy. Please pay special attention when this symbol is present.



INFORMATION

This symbol means general information intended to simplify or best explain the use of the product.



CONTACT INFORMATION

This symbol means the need of contacting an authorized service center or the manufacturer.



INCIDENT REPORTING

If an incident occurs, please contact the manufacturer.



AUTHORIZED SERVICE CENTER

In order to obtain a list of authorized service center, please contact the manufacturer.



This product and all its components can not be treated as household waste. For more detailed information on how recycling and disposal this product contact your local waste disposal service.



Any unauthorized modification to the product may increase the risk of personal injury and damage to the product itself. All modifications should be done by an authorized service center.

Do not use any unauthorized accessories or spare parts on the product. Do not use the product in combination with other medical devices without first having considered any risk due to combination of more products.



Use of this product on a wheelchair could modify the position of the center of gravity of the system wheelchair + user with subsequential increase of tipping risk. Please consider the possibility to add anti tip devices to the wheelchair.



In addition to the indications provided in this manual, always follow indications in the manual of the wheelchair on which it is mounted. In case of discrepancy, please contact the manufacturer.



WARNING: It is prohibited to use the product or its parts for any purpose other than that indicated. For a correct use please follow the instructions given in this manual. The manufacturer disclaims any responsibility for damages caused by improper use of the product.



Information in this manual may be subject to change without notice. All information, pictures and specifications are based on the product details that were available at the time of preparation of this document. They are representative examples and they are not intended to be exactly as the actual product.



Service manual is intended for technical personnel to maintain and repair wheelchairs. It is important to follow the instructions contained in this manual in order to professionally work with the product. The qualified personnel who works with the product must comply with all provisions of occupational safety and common sense in order to preserve his own safety. The manufacturer declines all responsibility for any accidents occurring during the working with the product.



TEMPERATURE

The temperature of some surfaces may increase when the product is exposed to external heat sources as direct sunlight.



PINCH HAZARD

Make sure your feet do not hang up or get caught in the space between the footrests. In general, make sure you have proper space in areas you will travel through to minimize pinching or entrapment of body parts.



INFORMATION

For information on how to obtain information and instructions in a format appropriate for use by visually impaired people please contact the manufacturer.



The product is not intended to be dismantled. There are no parts of the product expected to be handled during normal use of it



Do not install, maintain or operate the product without reading all warnings and this entire manual. Always keep this manual in connection with the product.

2. PREPARATION FOR FIRST USE

2.1. Unpacking

<p>Inside the box there are:</p> <ul style="list-style-type: none">• Headrest• Backrest fixing system• Manual	 <p>PACKAGING DISPOSAL</p> <p>To properly recycle the packaging materials follow instructions provided by your local waste disposal service.</p>
---	--

The product is delivered already mounted and ready to use. Before starting to use the product please check if all described components are present. It should be better if first set-up is performed by an authorized service center.

2.2.Mounting on the wheelchair



WARNING

Always follow instruction of wheelchair manufacturer. In any case:

- Operate brakes of the wheelchair and be sure it is securely blocked.
- If the wheelchair is foldable, always open it. If the wheelchair is foldable, always open it.



FIRST SET UP

It is very important to perform the first set up of the product with the supervision of a technician with rehabilitation knowledge with the aim of discover any problems or needs of adjustments and customization related to the use of the product.







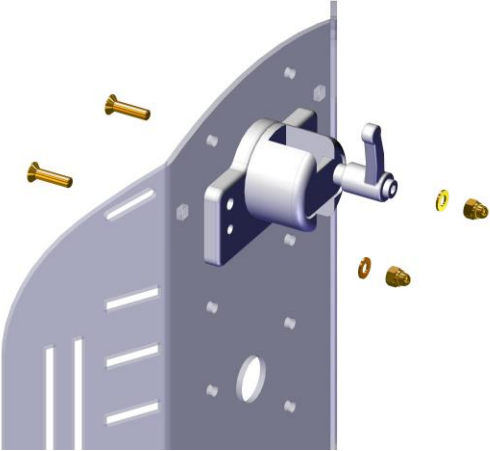
WARNING

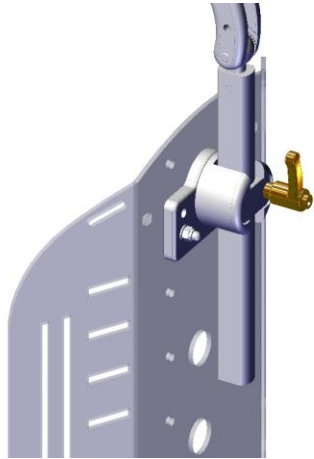
If any skin redness or injury possibly related to the use of the product occur, stop the use of the product as soon as possible and contact a technician with rehabilitation knowledge.



The product must be mounted on a wheelchair with an adequate support.

2.2.1. Mounting example

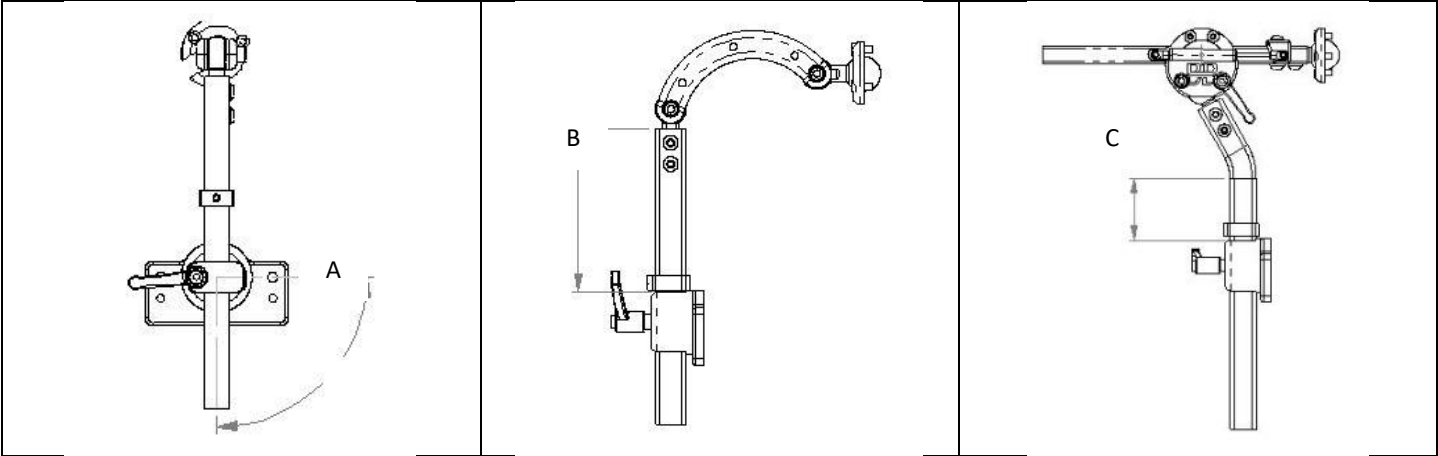
	 <p>Average needed time: 5 min</p>  <p>Difficulty level: Easy</p>	<p>ALLEN WRENCH</p>  <p>5 mm</p> <p>OPEN-END WRENCH</p>  <p>10 mm</p>
		<ul style="list-style-type: none"> Screw the screws shown in figure. Screws must be inserted from the internal side of the backrest. Usually to perform this operation it is needed to remove backrest upholstery. Screws must be 2x TSPEI M5x20 DIN 7991. Washers must be 2x Ø5 DIN 125. Nuts must be self locking 2x M5 DIN 985. If needed, mount again backrest upholstery.

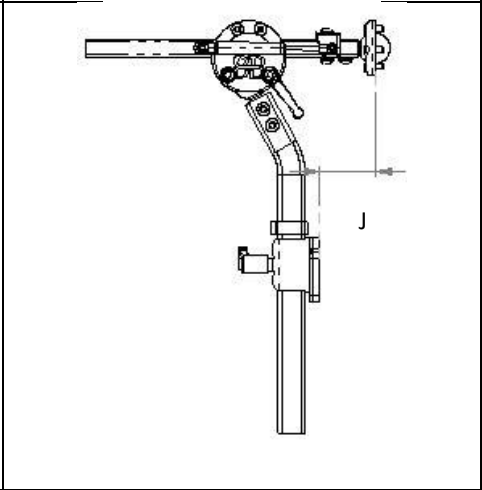
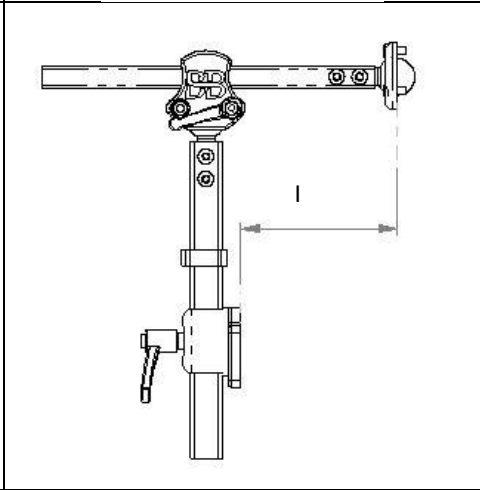
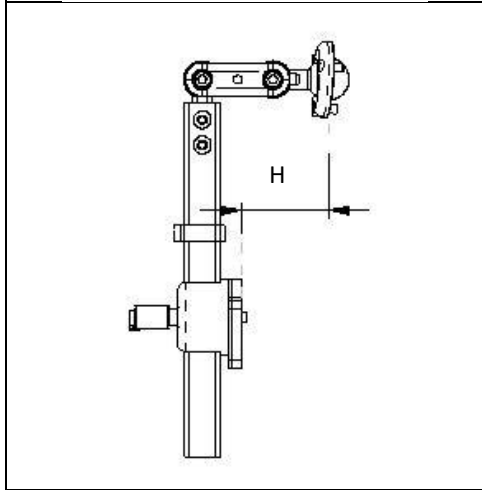
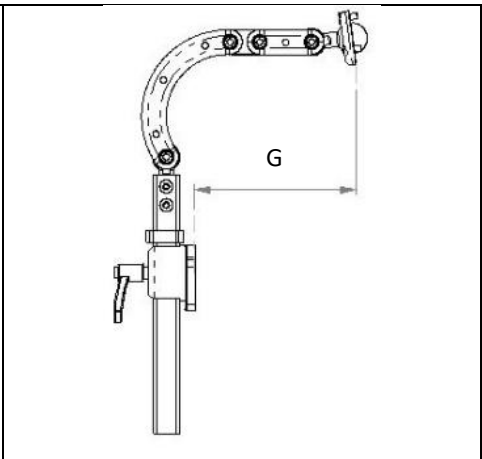
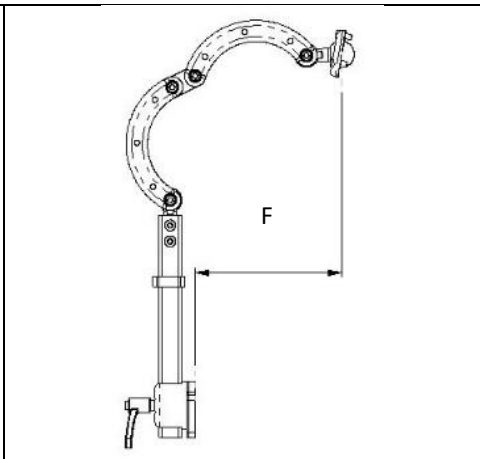
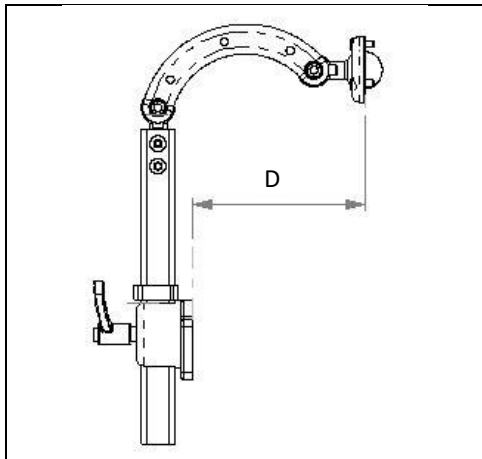


- Put the headrest into the proper housing.
- Tighten again the lever shown in figure.
Mount again the backrest.

3. ADJUSTMENTS

Type of operation	
A	Operation intended to be performed by the user.
B	Operation intended to be performed by an assistant.
C	Operation intended to be performed by an authorized service center.




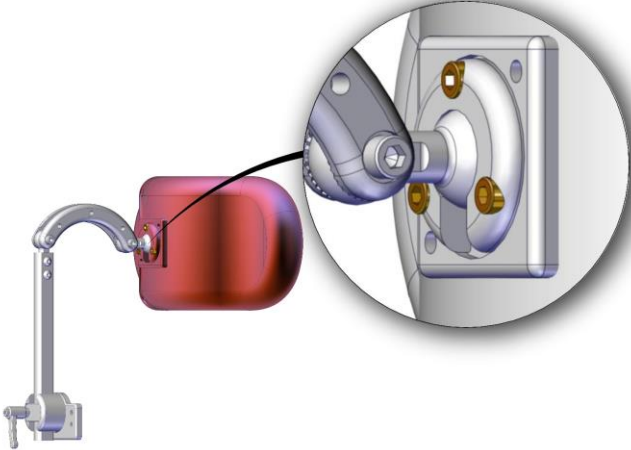







Adjustment	Type of operation	Dim.	Configuration	Range
Pad position	B - Assistant	ND		ND
Bracket height	B - Assistant	B	C - I - CI - CC - T	MIN 30 mm MAX 160 mm
		C	FREE SHOCK	MIN 0 mm MAX 160 mm
Angle	B - Assistant	A		-60°; -30°; 0°; +30°; +60°
Headrest position	B - Assistant	D	C	MIN -50 mm MAX 130 mm
		F	CC	MIN: -140 mm MAX: 250 mm
		G	CI	MIN: -25 mm MAX: 195 mm
		H	I	MIN: 0 mm MAX: 65 mm
		I	T	MIN: -5 mm MAX: 215 mm
		J	FREE SHOCK	40 mm 60 mm 75 mm 100 mm

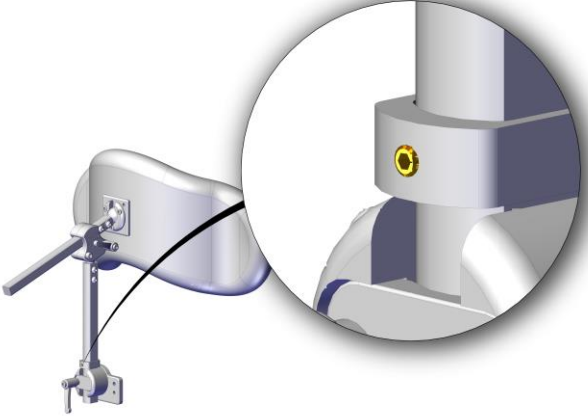
Table 1

3.1. Pad position

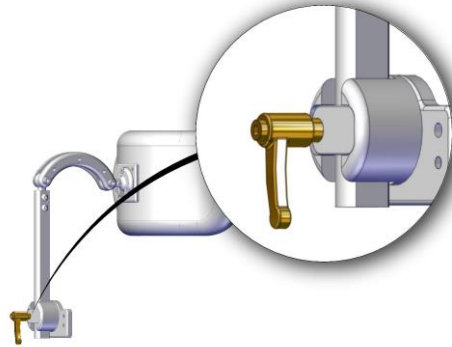
	 <p>Average needed time: 5 min</p>  <p>Difficulty level: Easy</p>	<p>ALLEN WRENCH</p>  <p>4 mm</p>
		<ul style="list-style-type: none">• Loosen the 3 screws shown in figure.• Set the position of the pad as desired.• Tighten again the 3 screws. Mount again the backrest.

3.2.Bracket Height

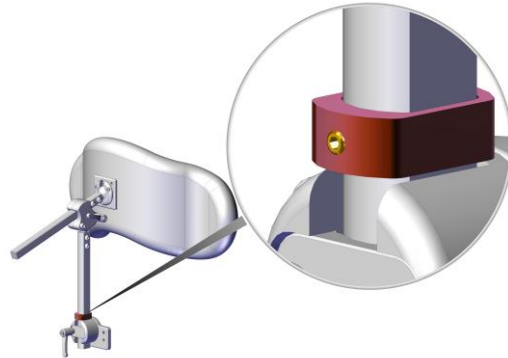
	 <p>Average needed time: <5 min</p>  <p>Difficulty level: Easy</p>	<p>ALLEN WRENCH</p>  <p>2 mm</p>
--	---	--



- Loosen the screw without head shown in figure.






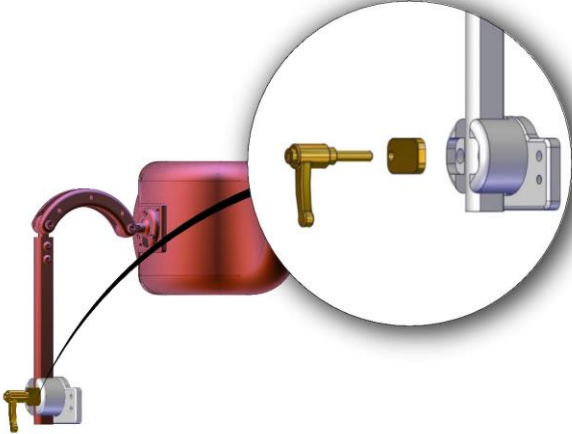
- Loosen the lever shown in figure.
- Set the height as desired.
- Tighten again the lever.



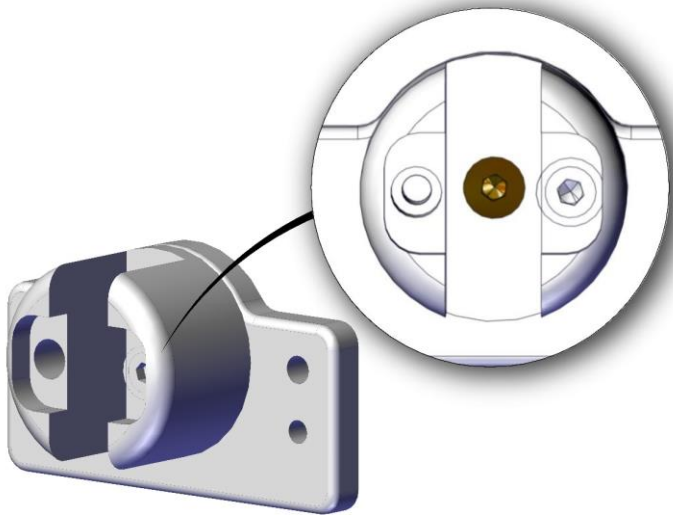
- Be sure to put the stopper shown in figure in the correct position, so when you remove the headrest, you will be able to put in back at the same height.
- Tighten again the screw without head shown in figure.

3.3.Angle

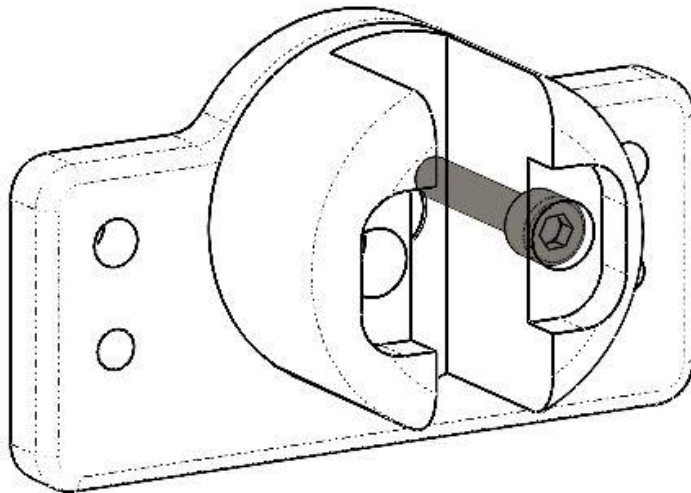
	 <p>Average needed time: 5 min</p>  <p>Difficulty level: Easy</p>	<p>ALLEN WRENCH</p>  <p>4 mm</p>
--	---	--



- Remove the lever shown in figure.
- Remove the plate.
- Remove the headrest.



- Loosen the screw shown in figure.



- Unscrew the screw shown in figure.
- Set the desired angle according one of the 5 available holes.
- Screw again the screw shown in figure.
- Mount again the headrest following instructions in reverse order.

ADDITIONA ADJUSTMENT T HEADREST AND FREESHOCK HEADREST

Moreover it is possible to adjust the angle of T headrest simply acting on the lever shown in figure.

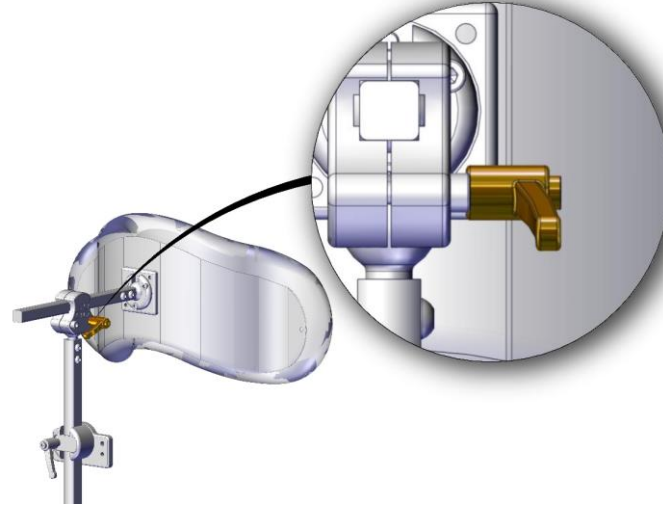





Figure 1

3.4. Headrest position

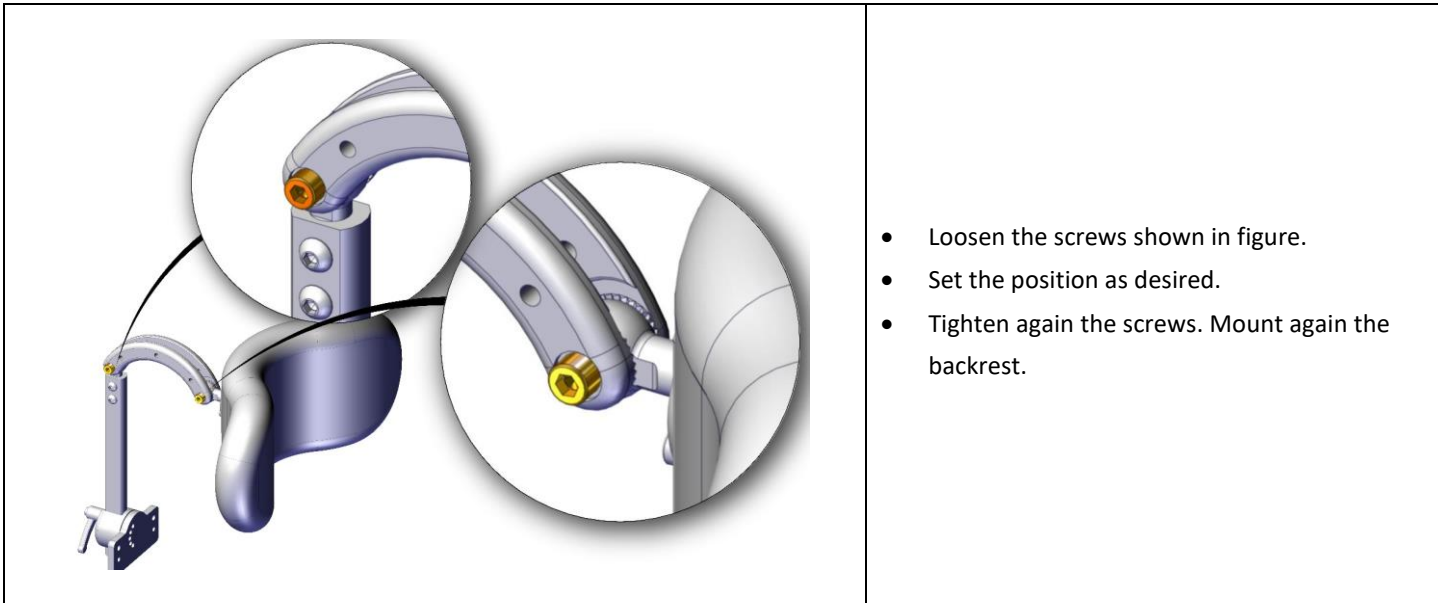
	 <p><u>Average needed time:</u> <5 min</p>  <p><u>Difficulty level:</u> Easy</p>	<p>ALLEN WRENCH</p>  <p>5 mm</p>
--	---	--



WARNING

It is very important to lose all screws, perform the desired adjustment and, only when completed, tighten again all screws.

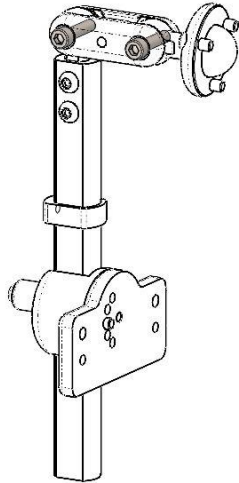
3.4.1. C headrest



INFORMATION

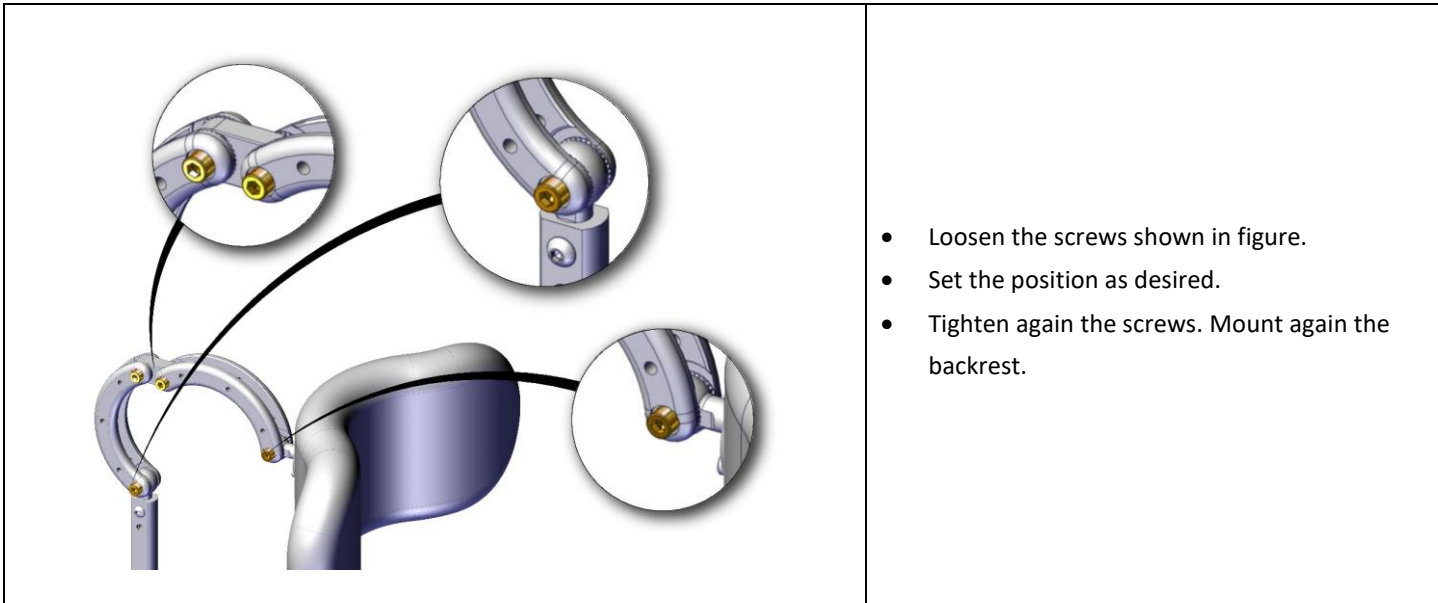
With C, CC and CI headrest it is possible to choose the order and direction of brackets. In order to do this, please unscrew the screws previously shown, choose the desired order and direction and screw again the screws.

3.4.2. I headrest



- Loosen the screws shown in figure.
- Set the position as desired.
- Tighten again the screws. Mount again the backrest.

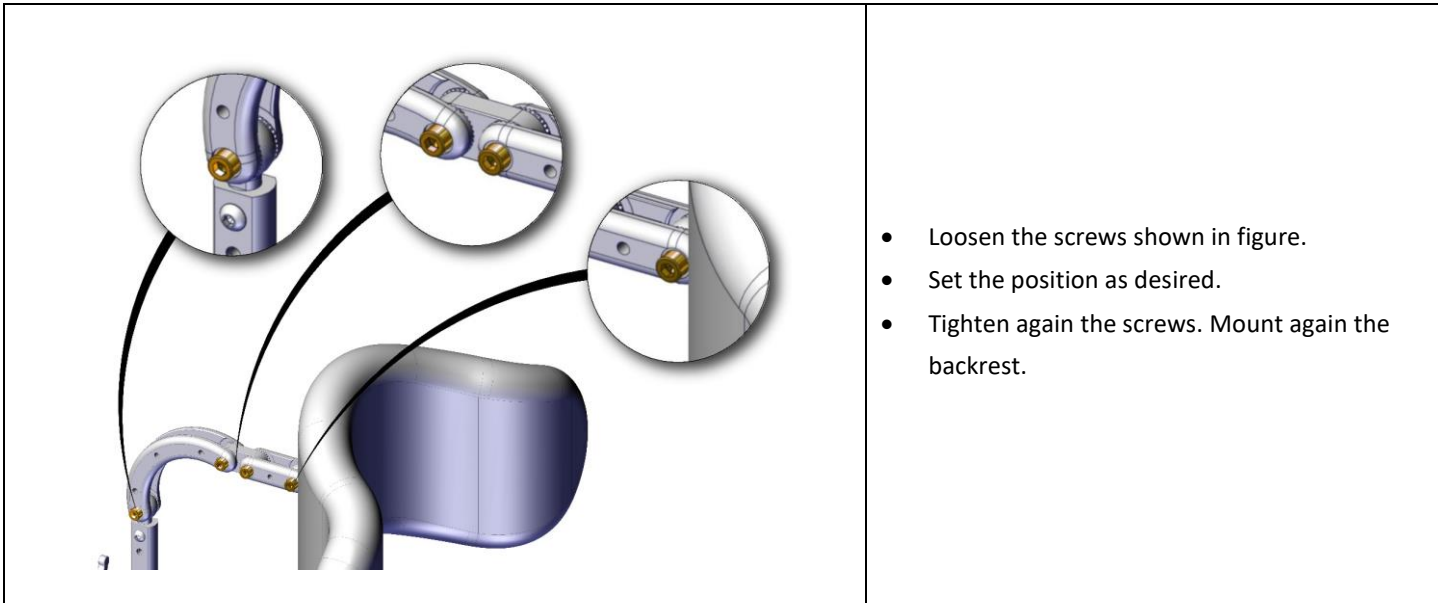
3.4.3. CC headrest



INFORMATION

With C, CC and CI headrest it is possible to choose the order and direction of brackets. In order to do this, please unscrew the screws previously shown, choose the desired order and direction and screw again the screws.

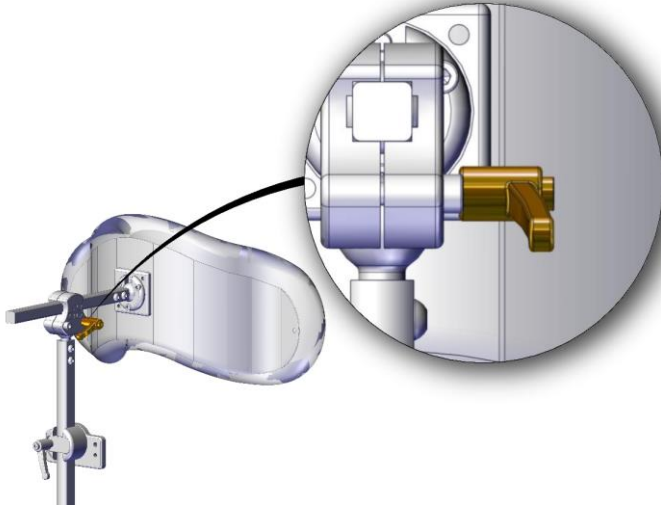
3.4.4. CI headrest



INFORMATION

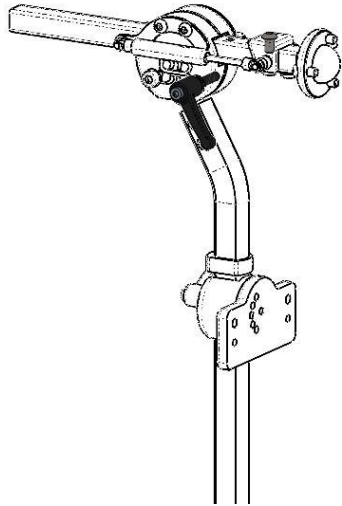
With C, CC and CI headrest it is possible to choose the order and direction of brackets. In order to do this, please unscrew the screws previously shown, choose the desired order and direction and screw again the screws.

3.4.5. T headrest



- Loosen the screws shown in figure.
- Set the position as desired.
- Tighten again the screws. Mount again the backrest.

3.4.6. FREE SHOCK headrest



- Loosen the screws shown in figure.
- Unscrew the upper screw shown in figure and choose the desired position.
- Tighten again the screws. Mount again the backrest.

4. USE OF THE PRODUCT

4.1. Use as a seat in a motor vehicle



It is not possible to use the product in a motor vehicle.

4.2. Transport and storage

It is possible to store the product in a place with a temperature between -20 °C and +45 °C.

The product can be transported in the storage compartment of the vehicle even without any package. The product can be also shipped via air. If it is necessary to ship the product it is very important to protect it with an appropriate package.

It is not possible to provide a universal package, so the user should provide himself for it. The used package must be water and dust resistant and strong enough to protect the product from any hurts. When inserting the product into the package protect any protruding parts with some foam or similar.

If you are not willing to use the product for a long period, keep it safe in a clean area and away from heat.

5. MAINTENANCE

Regular maintenance helps to keep intact the functionality and safety of the product. Inadequate or lack of care and maintenance may cause a limitation of the warranty. Avoid prolonged contact of the wheelchair with water. It may cause oxidation of the metal parts. Avoid long exposure of the wheelchair to direct sunlight.







WARNING

Any work on the product must be performed by an authorized service center.

5.1.Cleaning

To clean the product do not use high-pressure water spray devices. For plastic and metal parts use a soft cloth dampened with mild detergent. For the upholstery, linings, seat and back covers use warm water and mild detergent. Do not use stain removers, solvents, acids, etc.

Clean all parts of the backrest separately: separate fabric parts from the metal sheet. In order to separate them, act on the straps on the back of the backrest and remove padding. Open the zipper located on the back of the padding and remove the internal padding.

METAL SHEET	Simply use a cloth moistened with a neutral detergent.			
UP HOLSTERY	 Machine wash in hot water at 60 °C	 Drip dry	 Do not wring	 Do not bleach
FOAM	First remove the upholstery. Simply clean the foam using a damp cloth. Do not use any type of soap or detergent. Do not put the foam directly into the water. Before putting back the foam, please be sure it is completely dry.			

5.2.Controls to be performed on the product

Type of operation	
A	Operation intended to be performed by the user.
B	Operation intended to be performed by an assistant.
C	Operation intended to be performed by an authorized service center.

Operation	Frequency	Type of operation
Clean the product.	Monthly	B - Assistant
Check the correct fixing of screws and levers.	Monthly	B - Assistant

5.3.Reuse

The product is suitable for reuse. Before dispensing it, the product must be cleaned, and subjected to maintenance. The operating instructions are included in this manual and must also be provided when the product is passed on.



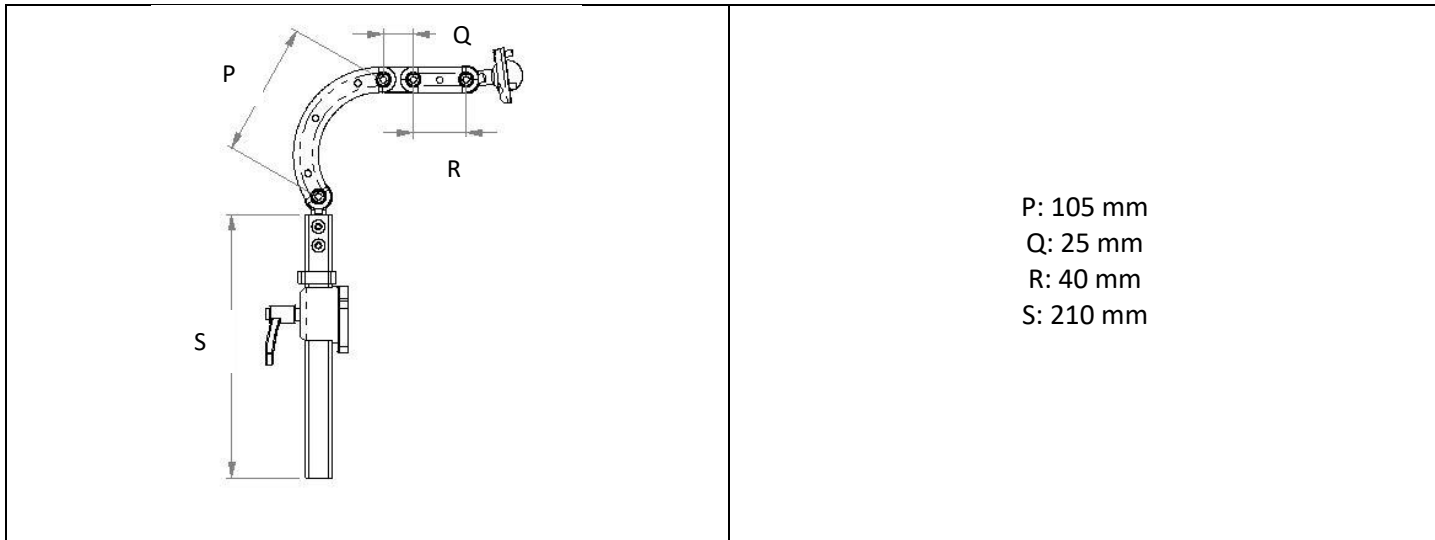
WARNING

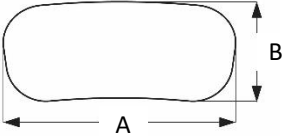
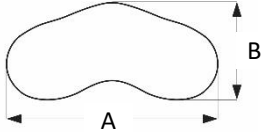
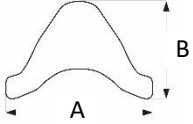
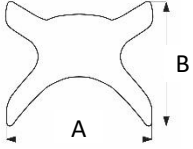
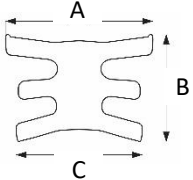
This operation must be performed only at an authorized service center.

6. TECHNICAL SPECIFICATION

Mass of test dummy used in the test	150 kg
The product conforms to requirements for resistance to ignition in accordance with ISO 7176-16 [yes-no]	YES - SI
Maximum user mass	150 kg
Expected lifetime of the assistive product [years]	7

6.1. Drawings



	Straight contoured pad	A 27 cm - B 13 cm
		A 34 cm - B 15 cm
		A 41 cm - B 17 cm
	Curved contoured pad	A 27 cm - B 16 cm
		A 34 cm - B 18,5 cm
		A 41 cm - B 21 cm
	Contoured pad A	A 21 cm - B 14 cm
		A 26 cm - B 17 cm
	Contoured pad X	A 20 cm - B 17 cm
		A 25 cm - B 21 cm
	Contoured pad E	A 15 cm - B 13 cm C 18 cm
		A 18 cm - B 16 cm C 21 cm
		A 22 cm - B 18 cm C 26 cm

7. Assistance and warranty terms

Definitions

MANUFACTURER: Manufacturer means the legal person who manufactures a product. For the scope of the following document, the manufacturer is:

Neatech.it s.r.l.

via Antonio de Curtis 4/A – 80040 – Cercola (NA)

Tel. +39 081 555 1946 – info@neatech.it – neatech@pec.it – www.neatech.it

P.IVA IT04812481218 – REA NA715393

CUSTOMER: Customer means the natural or legal person who buys a product from the manufacturer. For the scope of the following document, the Customer is the holder of the financial document issued by the manufacturer following the supply of the product.

PRODUCT: Product is the good supplied by the manufacturer to the customer in execution of a purchase order

Scope of the guarantee

The manufacturer undertakes to remedy any defect, lack of quality or lack of conformity of the products related to him as a result of design, construction errors or defects in the material that occurred during the warranty period.

Period of application of the guarantee

The warranty period begins with the customer's billing date. The duration of the warranty period varies according to the type of product.

Type of product	Warranty period [months]
Manual wheelchairs	24
Electronic wheelchairs (excluding batteries)	24
Wheelchair parts and accessories (excluding batteries)	24
Batteries	6

Table 2

Any repairs or replacements under warranty do not alter the original period of application of the warranty.

Exclusions

The warranty does not cover wearing parts.

Following there are some examples of parts subject to wear.

Wheels

Padded parts (polyurethane foams, viscoelastic)

Upholstery (including canvas)

Handles and knobs

Fuses and bulbs

Electric motor brushes

Filters

The warranty is limited to damage related to the product and cannot under any circumstances cover damage caused to third parties as a result of product failure.

The warranty does not cover parts damaged by overload, inappropriate use, alterations and repairs made by unauthorized third parties. The warranty is not valid in the event of tampering, incorrect storage, incorrect or unauthorized maintenance.

7.1.Serial number

For any report or assistance request, please communicate the serial number mentioned on the label in the position shown in figure.

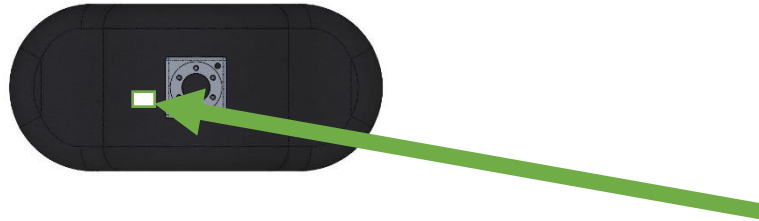


Figure 2

Note

